

YOUR VEHICLE WILL BE BUILT ACCORDING TO THIS DRAWING!
 All dimensions are approximate. The physical measurements of your shell, upon arrival at our facility, could affect the design layout of your vehicle including but not limited to: door locations; wheel well size and location; wall thickness; ceiling height; underbody obstructions; and suspension systems. You will be notified of substantial changes in design layout by a revised drawing for your review before production begins. Modifications to this document must be in writing and executed by an authorized representative of MATTHEWS SPECIALTY VEHICLES. Your signature confirms that this drawing is accurate to your design/layout expectations.

DRIVER INTERIOR

Approved as drawn with NO changes
 Approved as drawn with noted changes
 Signature _____ Date _____

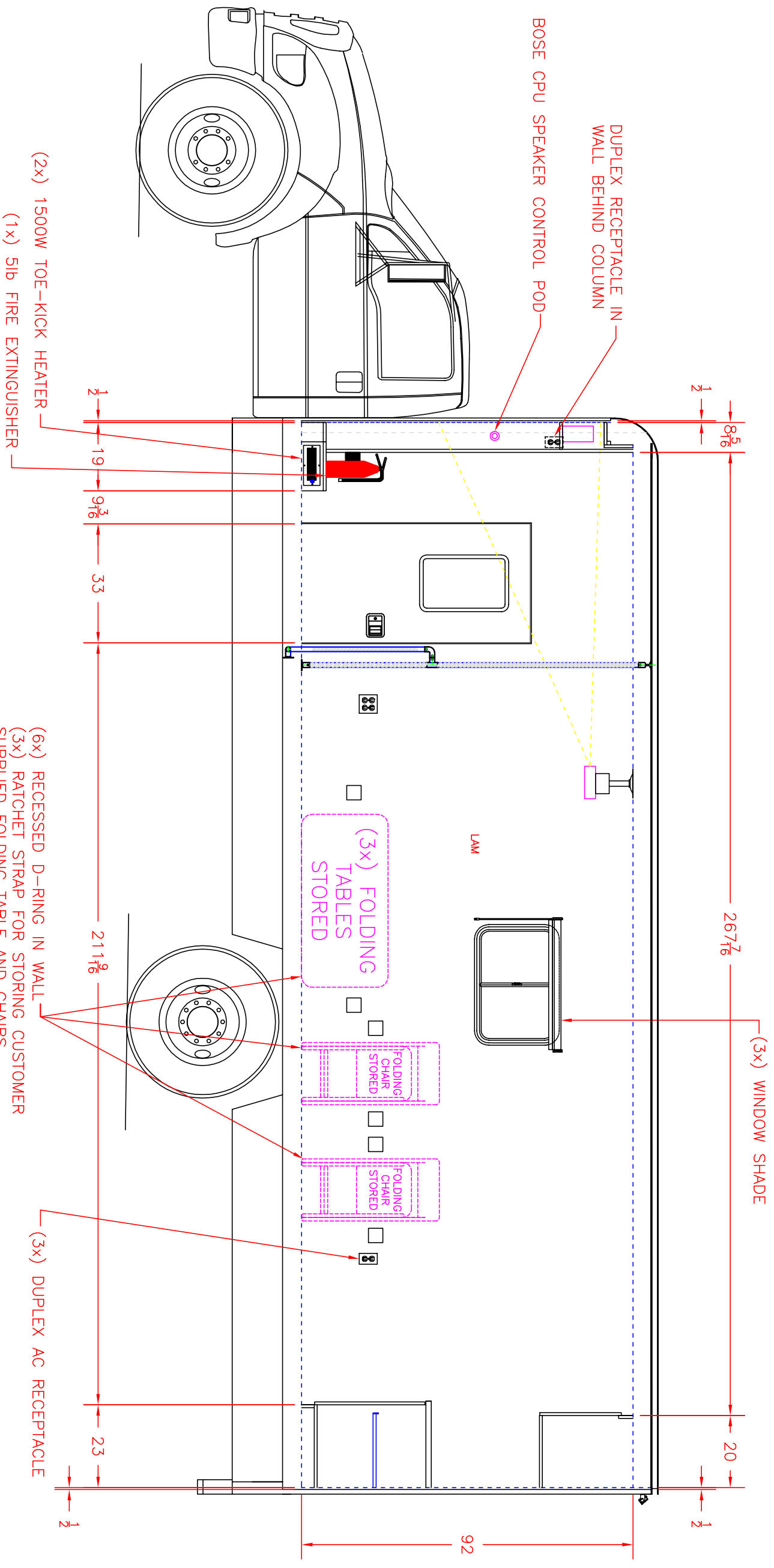
TENNESSEE FOREIGN LANGUAGE INSTITUTE



MATTHEWS SPECIALTY VEHICLES
 101 S. SWING ROAD
 GREENSBORO, NC 27409
 1-877-905-4678
 www.msvvehicles.com

| | | | |
|------------------|---|------------------------|--------------|
| SKILL: | FORD F-650 CHASSIS UTILIMASTER 24' BODY | DRAWING NUMBER: | 12-01-03-293 |
| DRAWN BY: | LMM | DATE: | 10/30/12 |
| REVISION: | | SCALE: | 3/8" = 1' 0" |
| | | REVISION DATE: | |

THE VEHICLE DEPICTED FOR CONSTRUCTION IN THESE DRAWINGS IS THE PROPERTY OF MATTHEWS SPECIALTY VEHICLES AND NOT TO BE USED FOR ANY OTHER CONSTRUCTION.



YOUR VEHICLE WILL BE BUILT ACCORDING TO THIS DRAWING!
 All dimensions are approximate. The physical measurements of your shell, upon arrival at our facility, could affect the design layout of your vehicle including but not limited to: door locations; wheel well size and location; wall thickness; ceiling height; underbody obstructions; and suspension systems. You will be notified of substantial changes in design layout by a revised drawing for your review before production begins. Modifications to this document must be in writing and executed by an authorized representative of MATTHEWS SPECIALTY VEHICLES. Your signature confirms that this drawing is accurate to your design/layout expectations.

PASSENGER INTERIOR

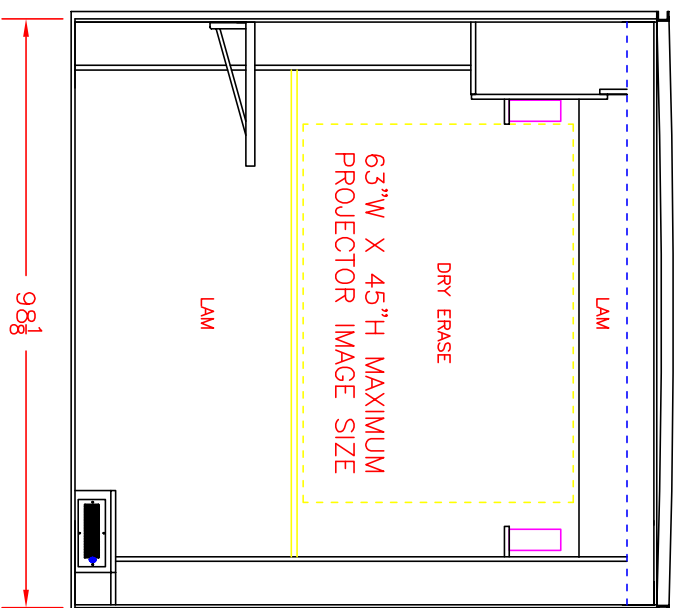
Approved as drawn with NO changes
 Approved as drawn with noted changes
 Signature _____ Date _____

TENNESSEE FOREIGN LANGUAGE INSTITUTE

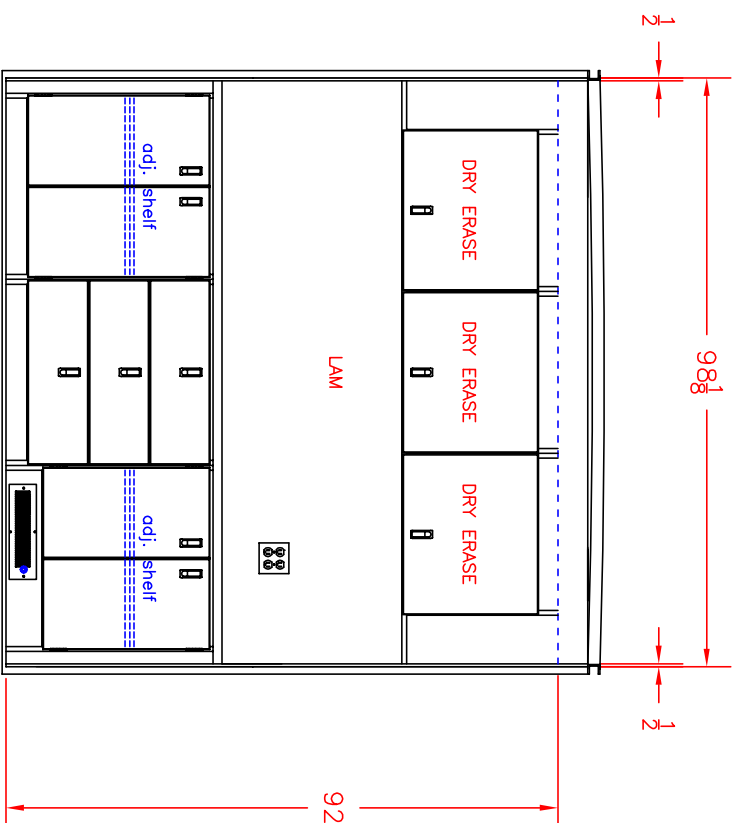
MATTHEWS SPECIALTY VEHICLES
 101 S. SWING ROAD
 GREENSBORO, NC 27409
 1-877-905-4678
 www.mtvvehicles.com

| | | | |
|------------------|---|------------------------|--------------|
| SKILL: | FORD F-650 CHASSIS UTILIMASTER 24' BODY | DRAWING NUMBER: | 12-01-03-293 |
| DRAWN BY: | LMM | DATE: | 10/30/12 |
| REVISION: | | SCALE: | 3/8" = 1' 0" |
| | | REVISION DATE: | |

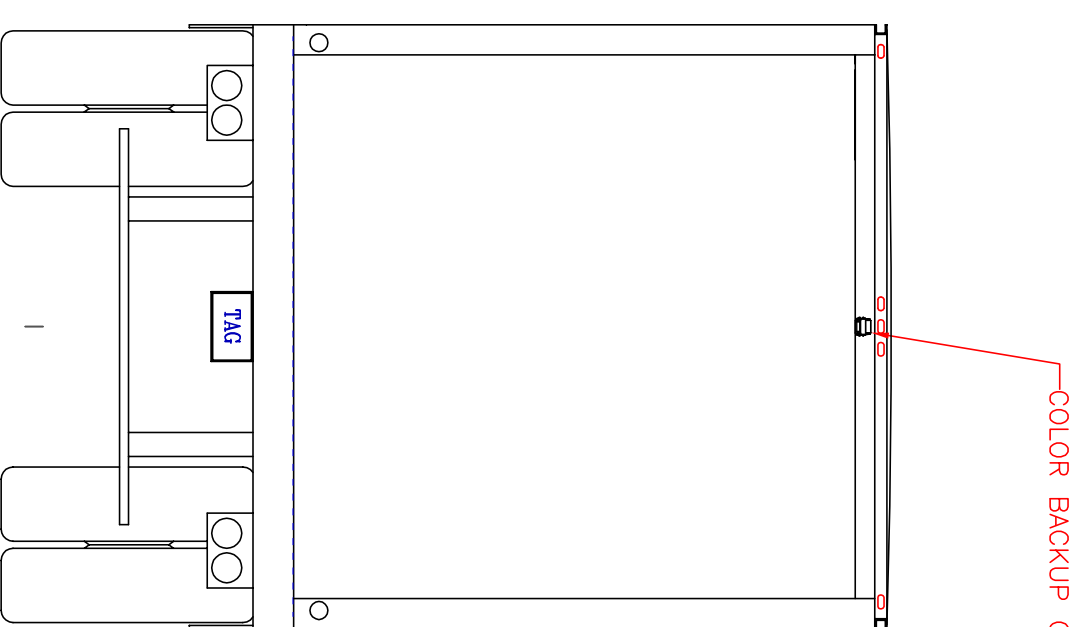
THE VEHICLE DEPICTED FOR CONSTRUCTION IN THESE DRAWINGS IS THE PROPERTY OF MATTHEWS SPECIALTY VEHICLES AND NOT TO BE USED FOR ANY OTHER CONSTRUCTION.



FRONT INTERIOR VIEW



REAR INTERIOR VIEW



REAR EXTERIOR VIEW

YOUR VEHICLE WILL BE BUILT ACCORDING TO THIS DRAWING!
 All dimensions are approximate. The physical measurements of your shell, upon arrival at our facility, could affect the design layout of your vehicle including but not limited to: door locations; wheel well size and location; wall thickness; ceiling height; underbody obstructions; and suspension systems. You will be notified of substantial changes in design layout by a revised drawing for your review before production begins. Modifications to this document must be in writing and executed by an authorized representative of MATTHEWS SPECIALTY VEHICLES. Your signature confirms that this drawing is accurate to your design/layout expectations.

BULKHEAD VIEW

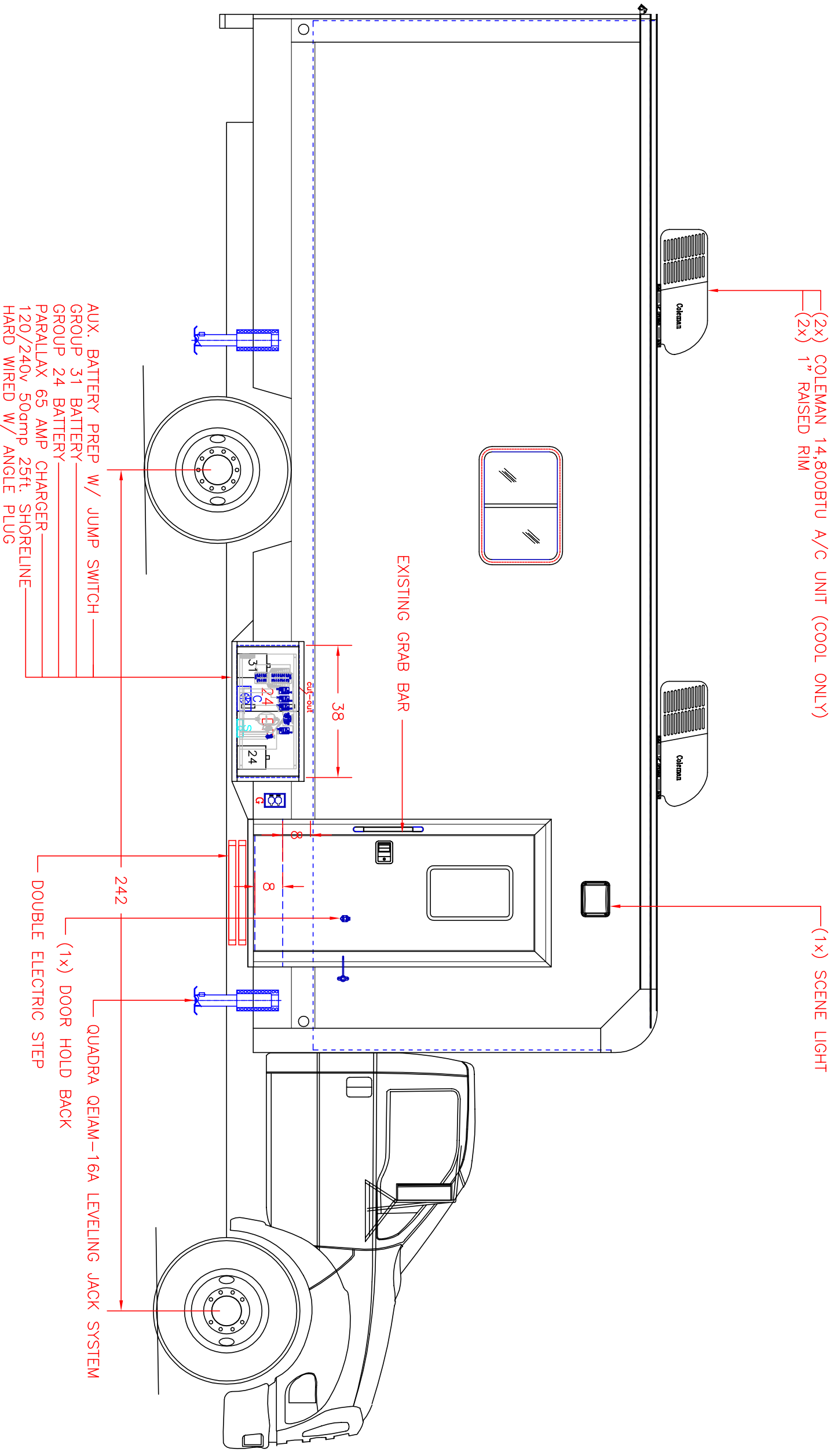
- Approved as drawn with NO changes
 - Approved as drawn with noted changes
- Signature _____ Date _____

TENNESSEE FOREIGN LANGUAGE INSTITUTE

MATTHEWS SPECIALTY VEHICLES
 101 S. SWING ROAD
 GREENSBORO, NC 27409
 1-877-905-4678
 www.mtvvehicles.com

| | | | |
|------------------|---|------------------------|--------------|
| SKILL: | FORD F-650 CHASSIS UTILIMASTER 24' BODY | DRAWING NUMBER: | 12-01-03-293 |
| DRAWN BY: | LMM | DATE: | 10/30/12 |
| REVISION: | | SCALE: | 3/8" = 1' 0" |
| | | REVISION DATE: | |

THE VEHICLE DEPICTED FOR CONSTRUCTION IN THESE DRAWINGS IS THE PROPERTY OF MATTHEWS SPECIALTY VEHICLES AND NOT TO BE USED FOR ANY OTHER CONSTRUCTION.



-UNDERCOAT ADDED PARTS

YOUR VEHICLE WILL BE BUILT ACCORDING TO THIS DRAWING!
 All dimensions are approximate. The physical measurements of your shell, upon arrival at our facility, could affect the design layout of your vehicle including but not limited to: door locations; wheel well size and location; wall thickness; cutting height; underbody obstructions; and suspension systems. You will be notified of substantial changes in design layout by a revised drawing for your review before production begins. Modifications to this document must be in writing and executed by an authorized representative of MATTHEWS SPECIALTY VEHICLES. Your signature confirms that this drawing is accurate to your design/layout expectations.

PASSENGER EXTERIOR

- Approved as drawn with NO changes
 - Approved as drawn with noted changes
- Signature _____ Date _____

TENNESSEE FOREIGN LANGUAGE INSTITUTE

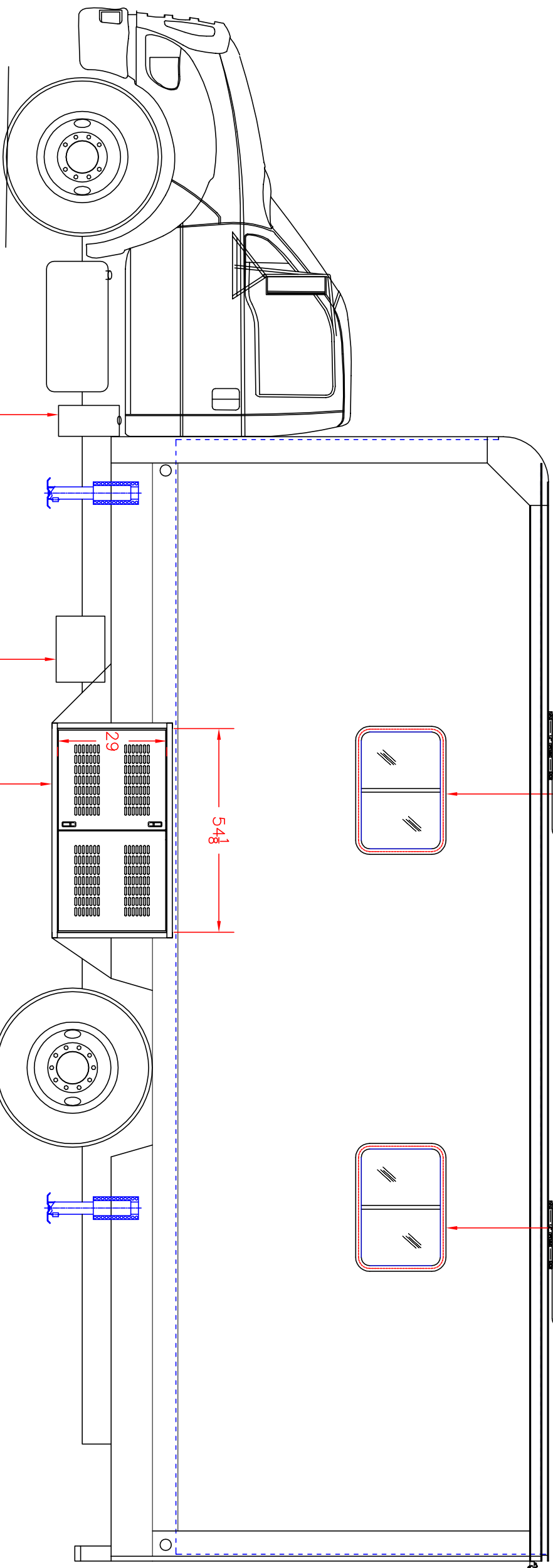
MATTHEWS SPECIALTY VEHICLES
 101 S. SWING ROAD
 GREENSBORO, NC 27409
 1-877-905-4678
 www.mtvvehicles.com

| | | | |
|------------------|---|------------------------|--------------|
| SKILL: | FORD F-650 CHASSIS UTILIMASTER 24' BODY | DRAWING NUMBER: | 12-01-03-293 |
| DRAWN BY: | LMM | DATE: | 10/30/12 |
| REVISION: | | SCALE: | 3/8" = 1' 0" |
| | | REVISION DATE: | |

THE VEHICLE DEPICTED FOR CONSTRUCTION IN THESE DRAWINGS IS THE PROPERTY OF MATTHEWS SPECIALTY VEHICLES AND NOT TO BE USED FOR ANY OTHER CONSTRUCTION.

Sheet:

5



-UNDERCOAT ADDED PARTS

YOUR VEHICLE WILL BE BUILT ACCORDING TO THIS DRAWING!
 All dimensions are approximate. The physical measurements of your shell, upon arrival at our facility, could affect the design layout of your vehicle including but not limited to:
 door locations: wheel well size and location; wall thickness; cutting height; underbody obstructions; and suspension systems. You will be notified of substantial changes in design layout by a revised drawing for your review before production begins. Modifications to this document must be in writing and executed by an authorized representative of MATTHEWS SPECIALTY VEHICLES. Your signature confirms that this drawing is accurate to your design/layout expectations.

DRIVER EXTERIOR

- Approved as drawn with NO changes
- Approved as drawn with noted changes

Signature _____

Date _____

TENNESSEE FOREIGN LANGUAGE INSTITUTE

MATTHEWS SPECIALTY VEHICLES
 101 S. SWING ROAD
 GREENSBORO, NC 27409
 1-877-905-4678
 www.mtvvehicles.com

| | | | |
|------------------|----------------------|------------------------|--------------|
| SHELL: | FORD F-650 CHASSIS | DRAWING NUMBER: | 12-01-03-293 |
| DRUM BR: | UTILIMASTER 24" BODY | SCALE: | 3/8" = 1' 0" |
| REVISION: | LMM | DATE: | 10/30/12 |
| | | REVISION DATE: | |

THE VEHICLE DEPICTED FOR CONSTRUCTION IN THESE DRAWINGS IS THE PROPERTY OF MATTHEWS SPECIALTY VEHICLES AND NOT TO BE USED FOR ANY OTHER CONSTRUCTION.

Sheet:

6